

PS2-150 AHR-07S

Solar Submersible Pump System for 3,5" wells

System Overview

Head max. 60 m
Flow rate max. 1,4 m³/h

Technical Data

Controller PS2-150

- Controlling and monitoring
- Control inputs for dry running protection, remote control etc.
- Protected against reverse polarity, overload and overtemperature
- Integrated MPPT (Maximum Power Point Tracking)
- Battery operation: Integrated low voltage disconnect

Power max. 0,30 kW
Input voltage max. 50 V
Optimum Vmp** > 17 V
Motor current max. 22 A
Efficiency max. 98 %
Ambient temp. -40...50 °C
Enclosure class IP68

Motor ECDRIVE 150-AHR-S

- Maintenance-free brushless DC motor
- Water filled
- Premium materials, stainless steel: AISI 304
- No electronics in the motor

Rated power 0,3 kW
Efficiency max. 92 %
Motor speed 600...3 300 rpm
Insulation class F
Enclosure class IP68
Submersion max. 150 m

Pump End PE AHR-07S***

- Non-return valve
- Premium materials, stainless steel: AISI 304/316
- Helical rotor pump

Efficiency max. 55 %



Pump Unit PU150 AHR-07S (Motor, Pump End)

Borehole diameter min. 3,5 in
Water temperature max. 50 °C

Standards



2006/42/EC, 2004/108/EC, 2006/95/EC

IEC/EN 61702:1995

The logos shown reflect the approvals that have been granted for this product family. Products are ordered and supplied with the approvals specific to the market requirements.

**Vmp: MPP-voltage under Standard Test Conditions (STC): 1000 W/m² solar irradiance, 25 °C cell temperature

***Specify temperature range on order

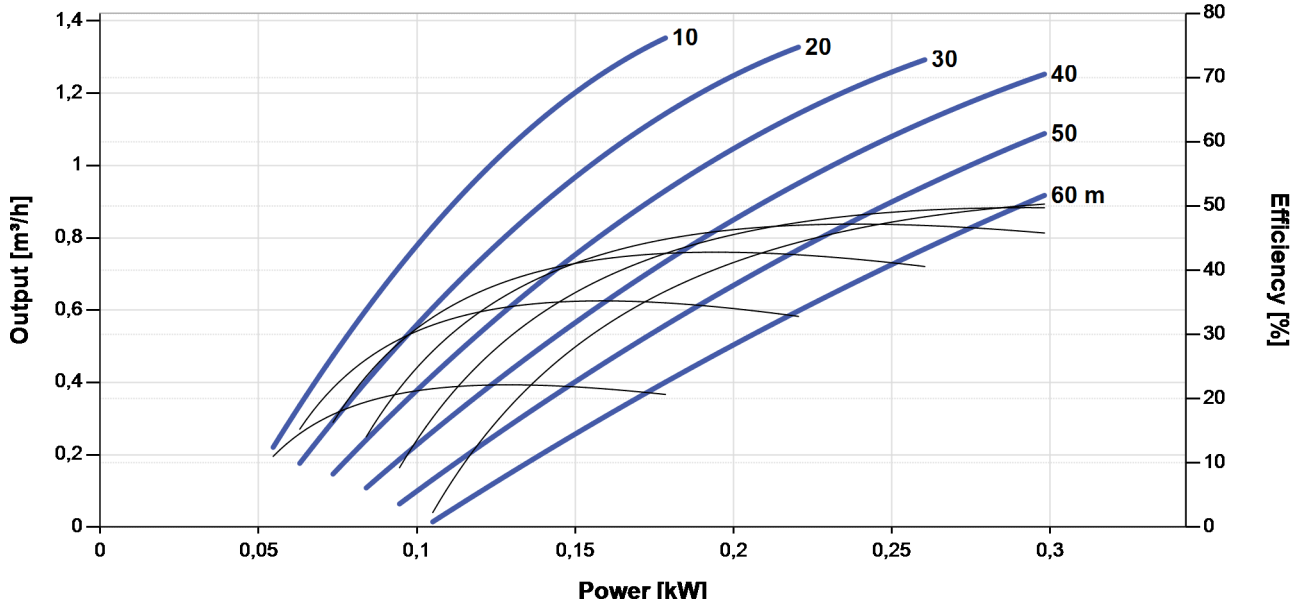


PS2-150 AHR-07S

Solar Submersible Pump System for 3,5" wells

Pump Chart

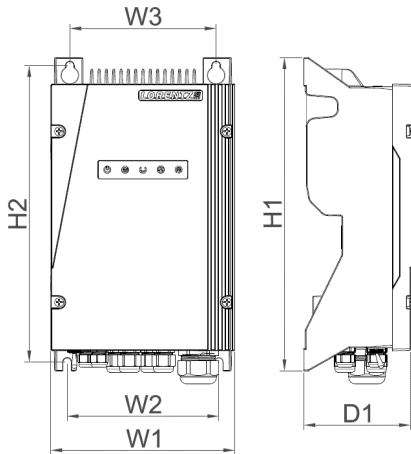
Vmp* > 17 V



Dimensions and Weights

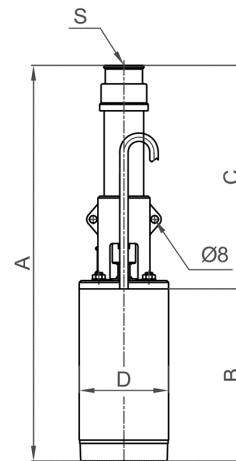
Controller

H1 = 352 mm
 H2 = 333 mm
 W1 = 207 mm
 W2 = 170 mm
 W3 = 164 mm
 D1 = 124 mm



Pump Unit

A = 454 mm
 B = 211 mm
 C = 243 mm
 D = 88 mm
 S = 1 in



	Net weight
Controller	5,6 kg
Pump Unit	8,4 kg
Motor	6,8 kg
Pump End	1,6 kg

*Vmp: MPP-voltage under Standard Test Conditions (STC): 1000 W/m² solar irradiance, 25 °C cell temperature

